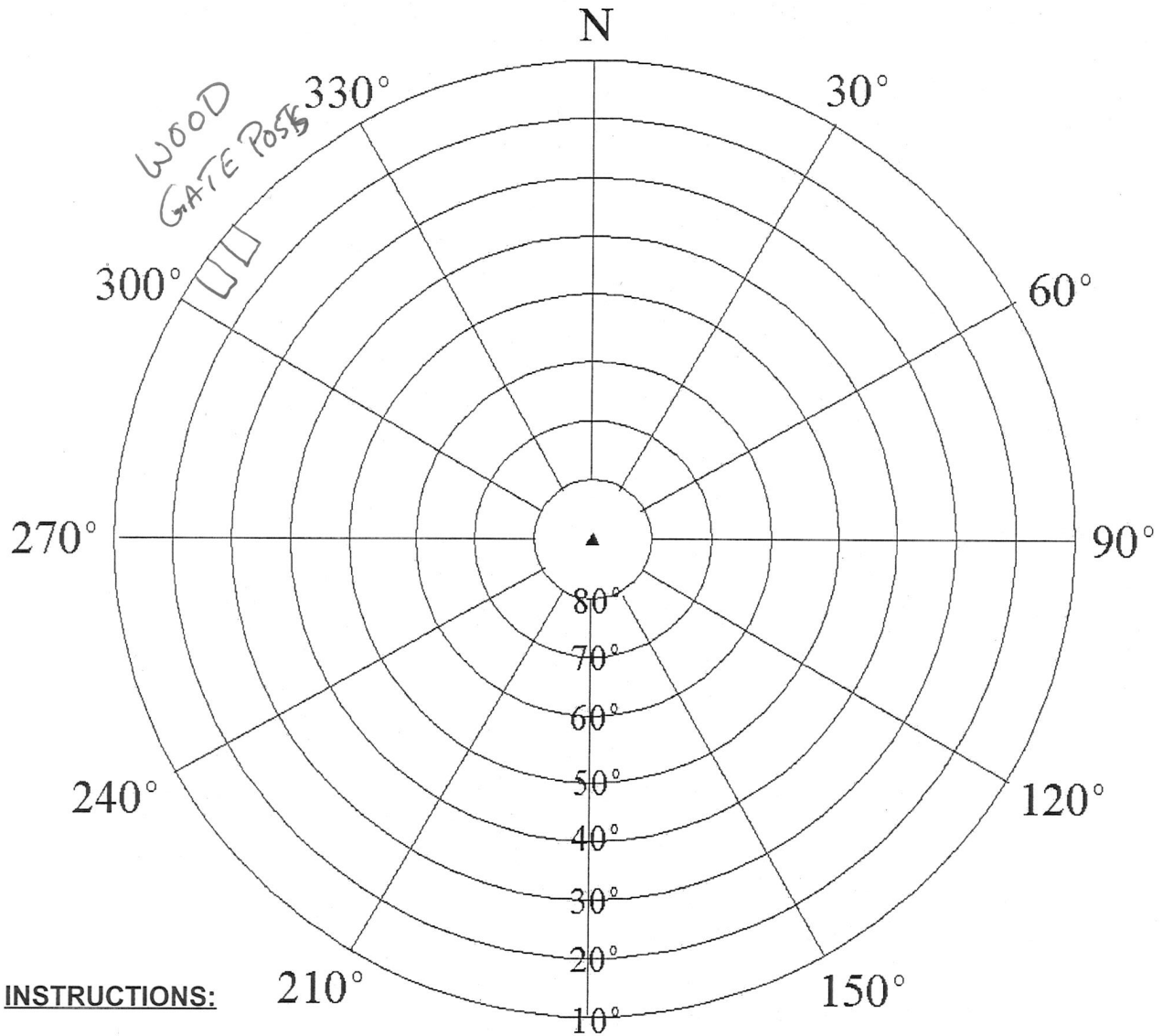


**NATIONAL GEODETIC SURVEY  
VISIBILITY OBSTRUCTION DIAGRAM**



**INSTRUCTIONS:**

Identify obstructions by azimuth (magnetic) and elevation angle (above horizon) as seen from station mark. Indicate distance and direction to nearby structures and reflective surfaces (potential multipath sources).

Designation: ALROSE

PID: \_\_\_\_\_

Location: \_\_\_\_\_

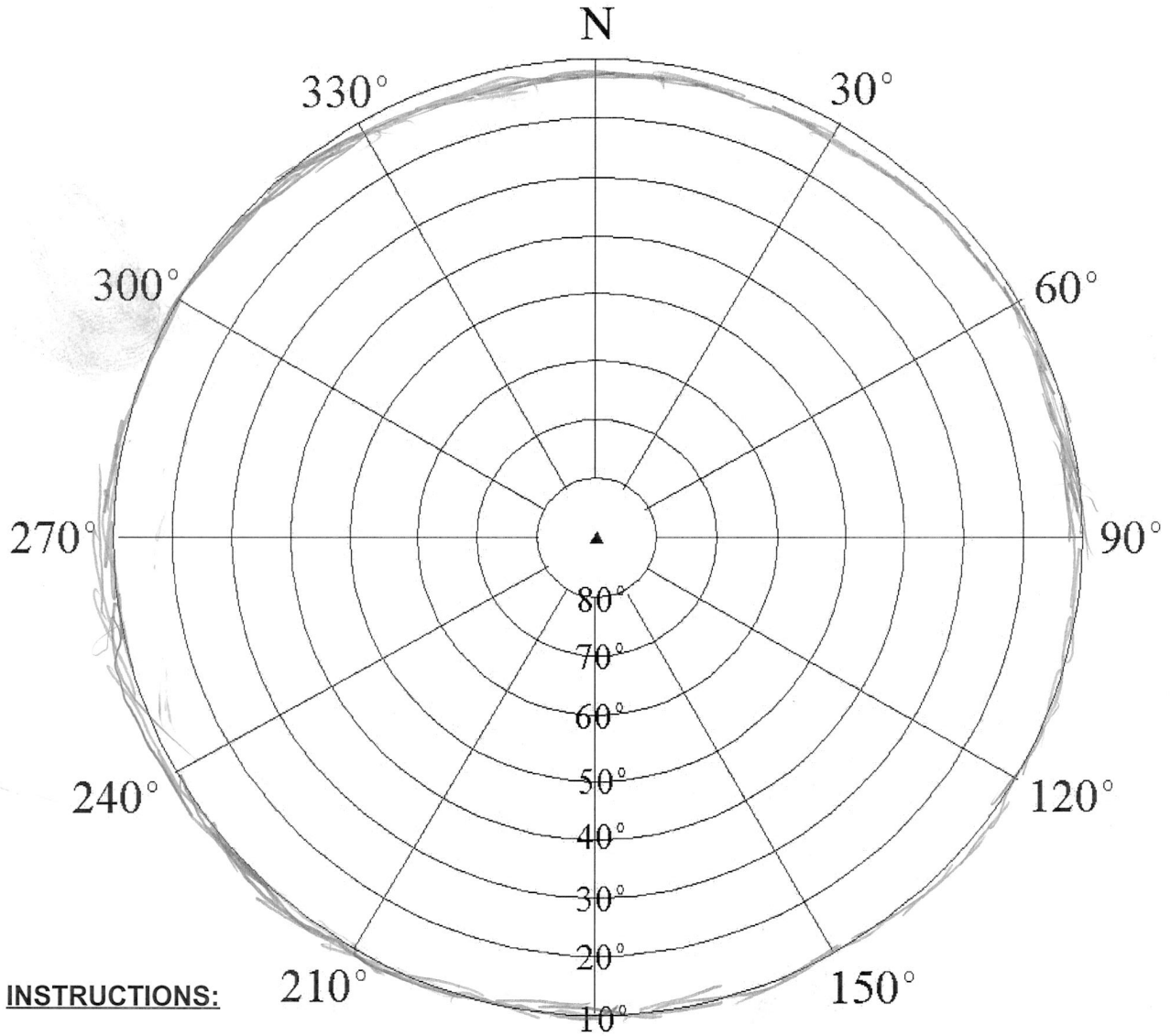
County: GILA

Reconnaissance By: T HOMAN

Height above mark: 1.8 Meters

Agency/Company: GILA COUNTY Phone: ( 928 ) 402 8515 Date: 7/13/04

NATIONAL GEODETIC SURVEY  
VISIBILITY OBSTRUCTION DIAGRAM



**INSTRUCTIONS:**

Identify obstructions by azimuth (magnetic) and elevation angle (above horizon) as seen from station mark. Indicate distance and direction to nearby structures and reflective surfaces (potential multipath sources).

Designation: BELLE

PID: \_\_\_\_\_

Location: \_\_\_\_\_

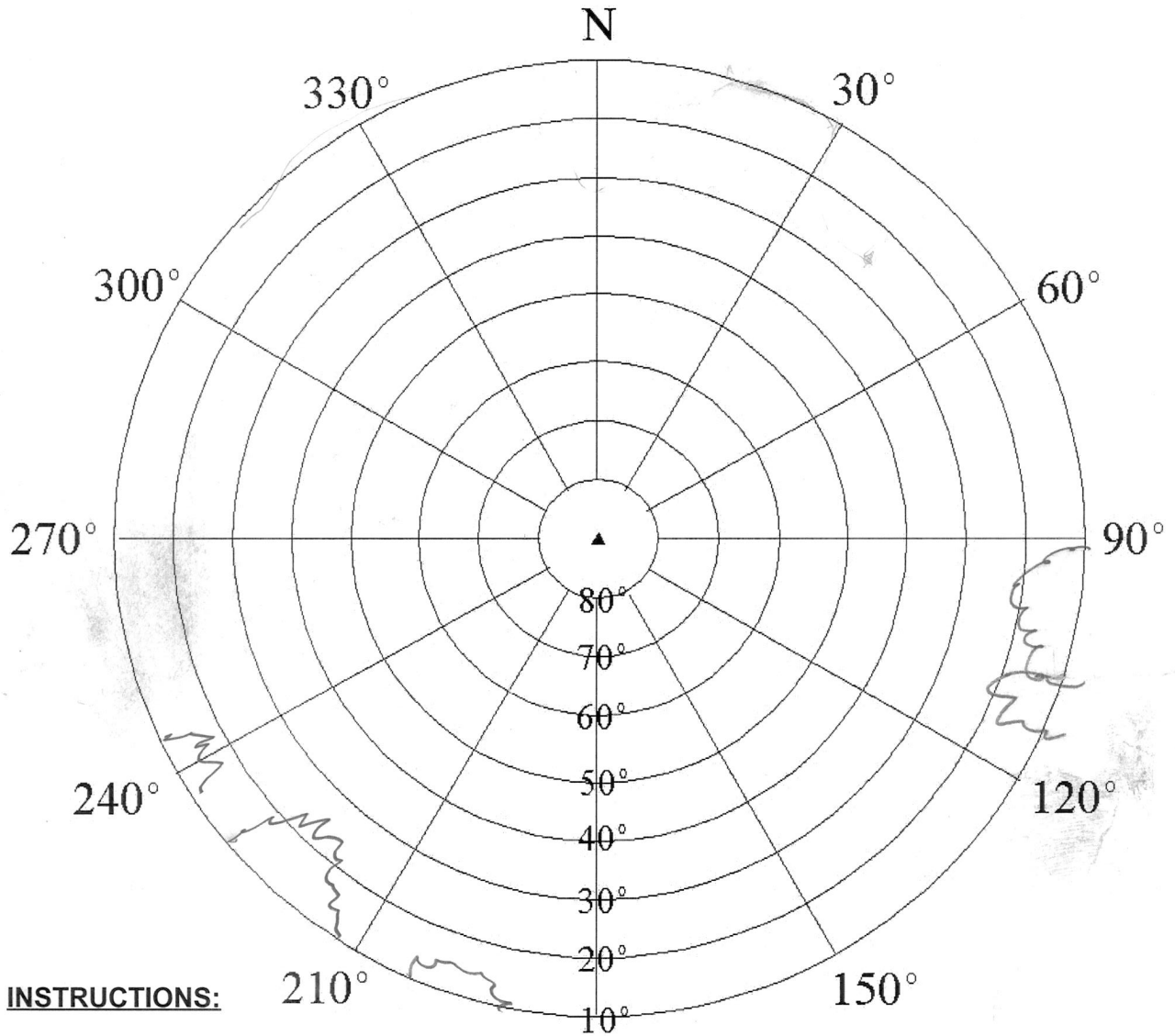
County: GILA

Reconnaissance By: R. BUNGER

Height above mark: 2.0 Meters

Agency/Company: GILA COUNTY Phone: ( 928 ) 402 8506 Date: 6-1-04

NATIONAL GEODETIC SURVEY  
VISIBILITY OBSTRUCTION DIAGRAM



**INSTRUCTIONS:**

Identify obstructions by azimuth (magnetic) and elevation angle (above horizon) as seen from station mark. Indicate distance and direction to nearby structures and reflective surfaces (potential multipath sources).

Designation: CATD

PID: \_\_\_\_\_

Location: 34°03'58.1" / 110°47'20.4"

County: GILA

Reconnaissance By: TAMIETTI

Height above mark: 1.8 Meters

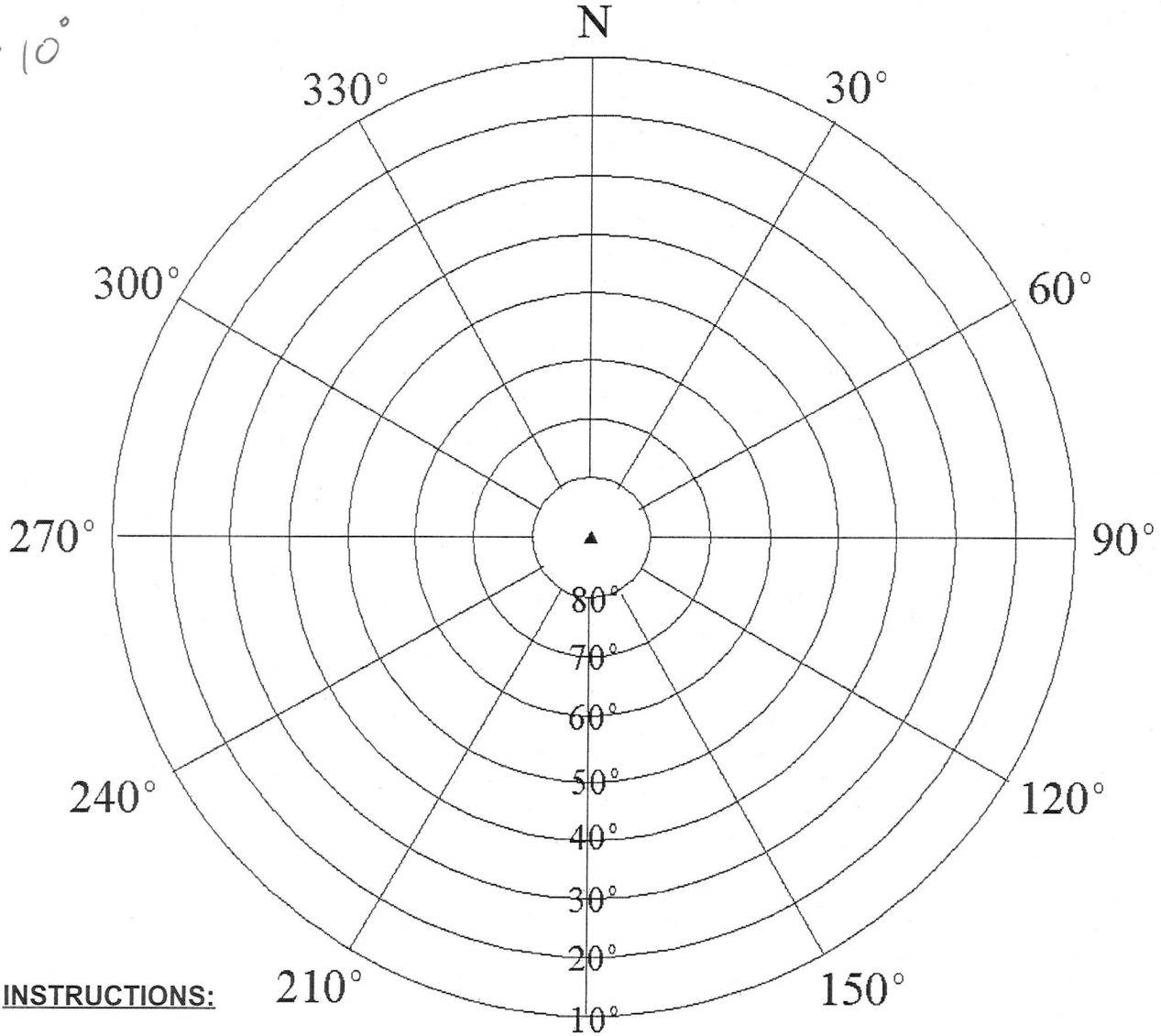
Agency/Company: GILA COUNTY

Phone: (928) 425 3231

Date: 06-03-04

NO OBSTRUCTIONS  
710°

### NATIONAL GEODETIC SURVEY VISIBILITY OBSTRUCTION DIAGRAM



**INSTRUCTIONS:**

Identify obstructions by azimuth (magnetic) and elevation angle (above horizon) as seen from station mark. Indicate distance and direction to nearby structures and reflective surfaces (potential multipath sources).

Designation: CHAPMAN

PID: \_\_\_\_\_

Location: \_\_\_\_\_

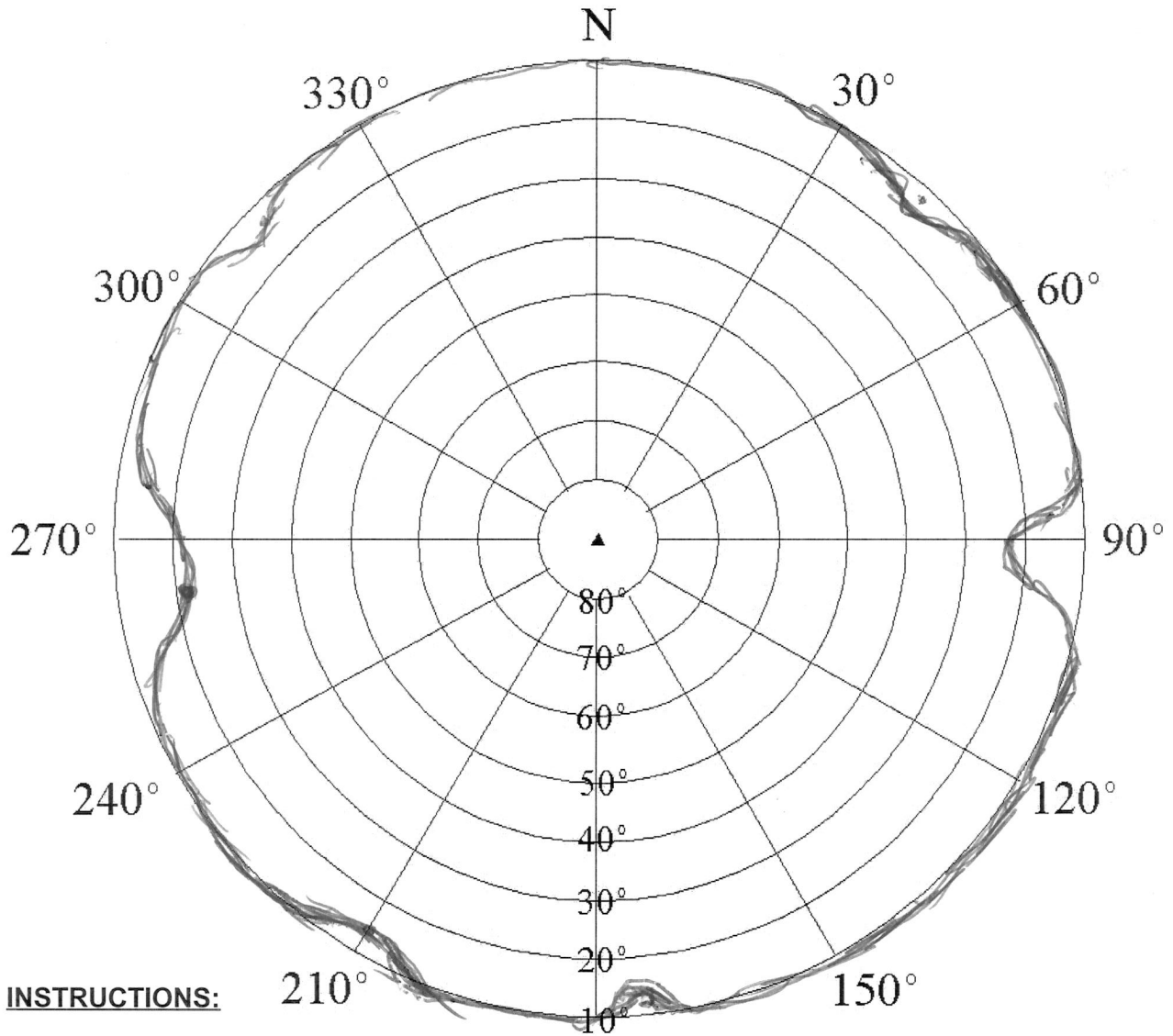
County: GILA

Reconnaissance By: T HOMAN

Height above mark: 1.8 Meters

Agency/Company: GILA COUNTY Phone: (928) 402 8515 Date: 7/13/04

**NATIONAL GEODETIC SURVEY  
VISIBILITY OBSTRUCTION DIAGRAM**



**INSTRUCTIONS:**

Identify obstructions by azimuth (magnetic) and elevation angle (above horizon) as seen from station mark. Indicate distance and direction to nearby structures and reflective surfaces (potential multipath sources).

Designation: CHERRY

PID: \_\_\_\_\_

Location: N 31° 07' 50.4" W 110° 55' 28.4"

County: Gila

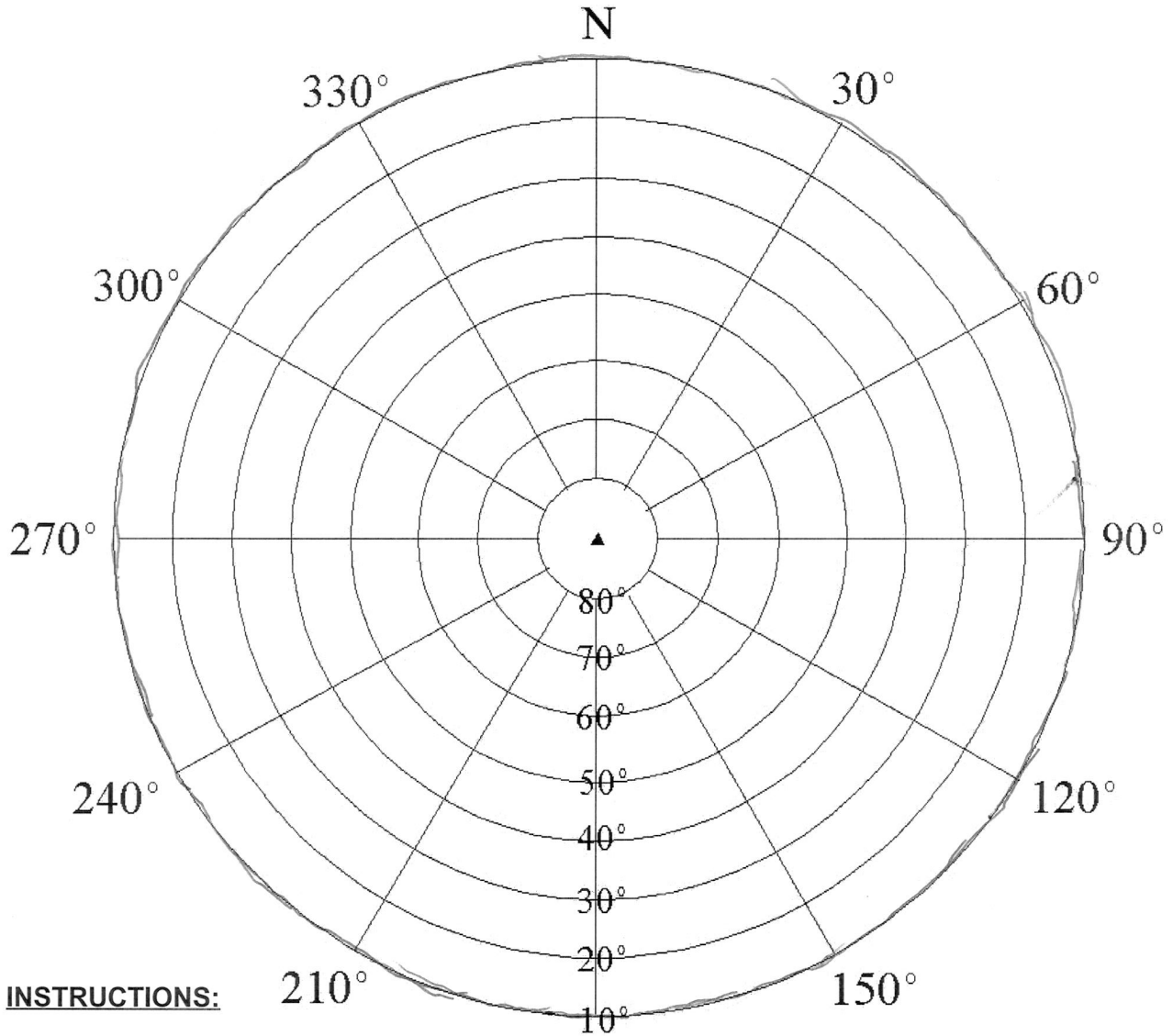
Reconnaissance By: Rick BUNGER

Height above mark: \_\_\_\_\_ Meters

Agency/Company: Gila

Phone: ( 928 ) 425-3231 Date: 7-13-04  
+1.8506

**NATIONAL GEODETIC SURVEY  
VISIBILITY OBSTRUCTION DIAGRAM**



**INSTRUCTIONS:**

Identify obstructions by azimuth (magnetic) and elevation angle (above horizon) as seen from station mark. Indicate distance and direction to nearby structures and reflective surfaces (potential multipath sources).

Designation: Church

PID: \_\_\_\_\_

Location: N34°06'09.8" W110°57'34.0"

County: Gila

Reconnaissance By: Rick Burger

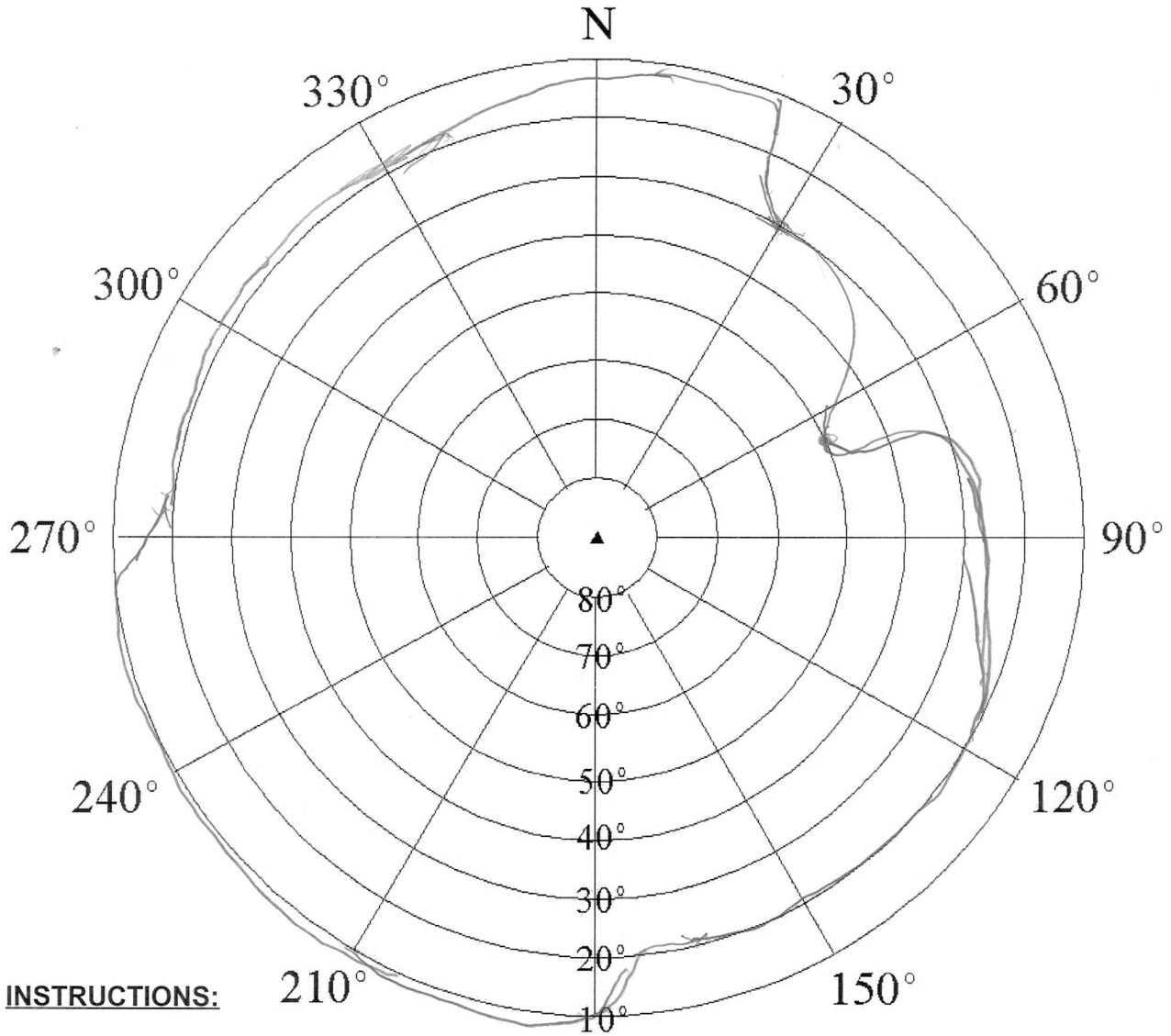
Height above mark: 2<sup>000</sup> Meters

Agency/Company: Gila

Phone: ( 928 ) 425-3231  
x. 8506

Date: 7-13-04

NATIONAL GEODETIC SURVEY  
VISIBILITY OBSTRUCTION DIAGRAM



**INSTRUCTIONS:**

Identify obstructions by azimuth (magnetic) and elevation angle (above horizon) as seen from station mark. Indicate distance and direction to nearby structures and reflective surfaces (potential multipath sources).

Designation: GENTR 4

PID: \_\_\_\_\_

Location: N. 34° 07' 07.5" W 110° 50' 46.5"

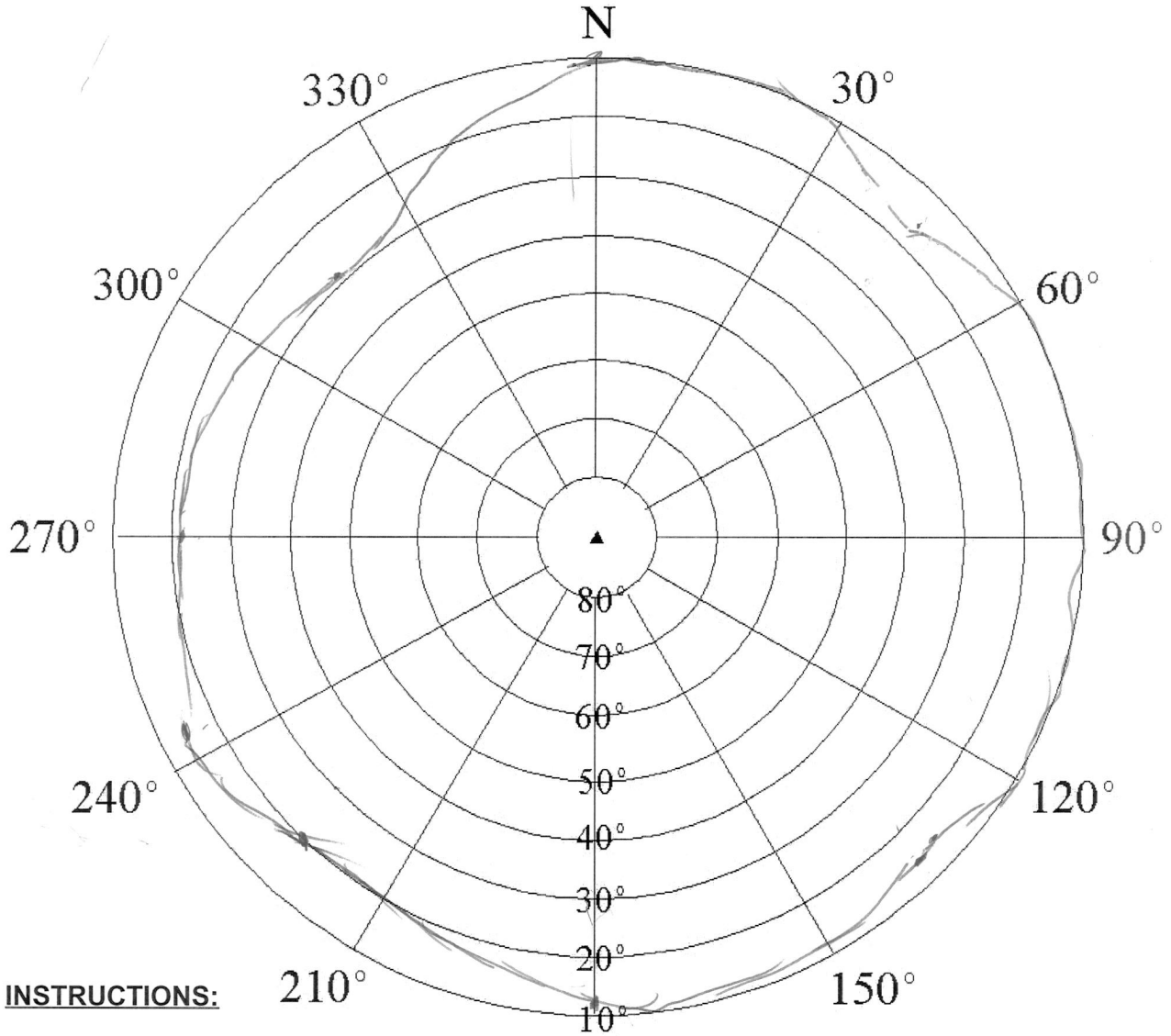
County: GILA

Reconnaissance By: R. BUNGER

Height above mark: 2.0 Meters

Agency/Company: GILA COUNTY Phone: ( 928 ) 402 8506 Date: 7/13/04

**NATIONAL GEODETIC SURVEY  
VISIBILITY OBSTRUCTION DIAGRAM**



**INSTRUCTIONS:**

Identify obstructions by azimuth (magnetic) and elevation angle (above horizon) as seen from station mark. Indicate distance and direction to nearby structures and reflective surfaces (potential multipath sources).

Designation: HINDU

PID: \_\_\_\_\_

Location: N 34° 04' 14.2"  
W. 110° 58' 42.0

County: GILA

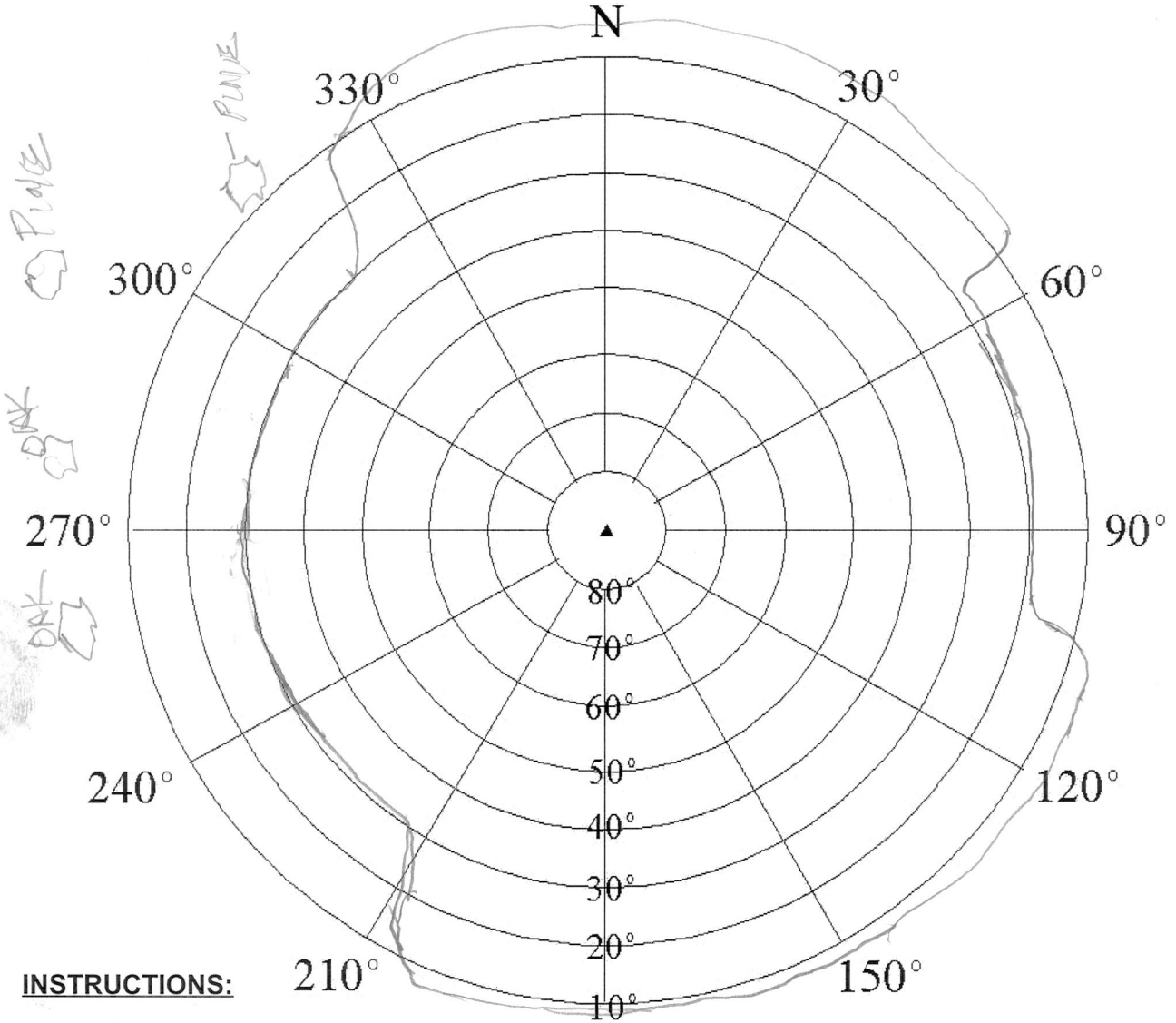
Reconnaissance By: R. BUNGER

Height above mark: 2.009 Meters

Agency/Company: GILA Co. Phone: (928) 425-3231 Date: 7-13-2004  
EXT 8506



**NATIONAL GEODETIC SURVEY  
VISIBILITY OBSTRUCTION DIAGRAM**



**INSTRUCTIONS:**

Identify obstructions by azimuth (magnetic) and elevation angle (above horizon) as seen from station mark. Indicate distance and direction to nearby structures and reflective surfaces (potential multipath sources).

Designation: NAEGOLIN

PID: \_\_\_\_\_

Location: \_\_\_\_\_

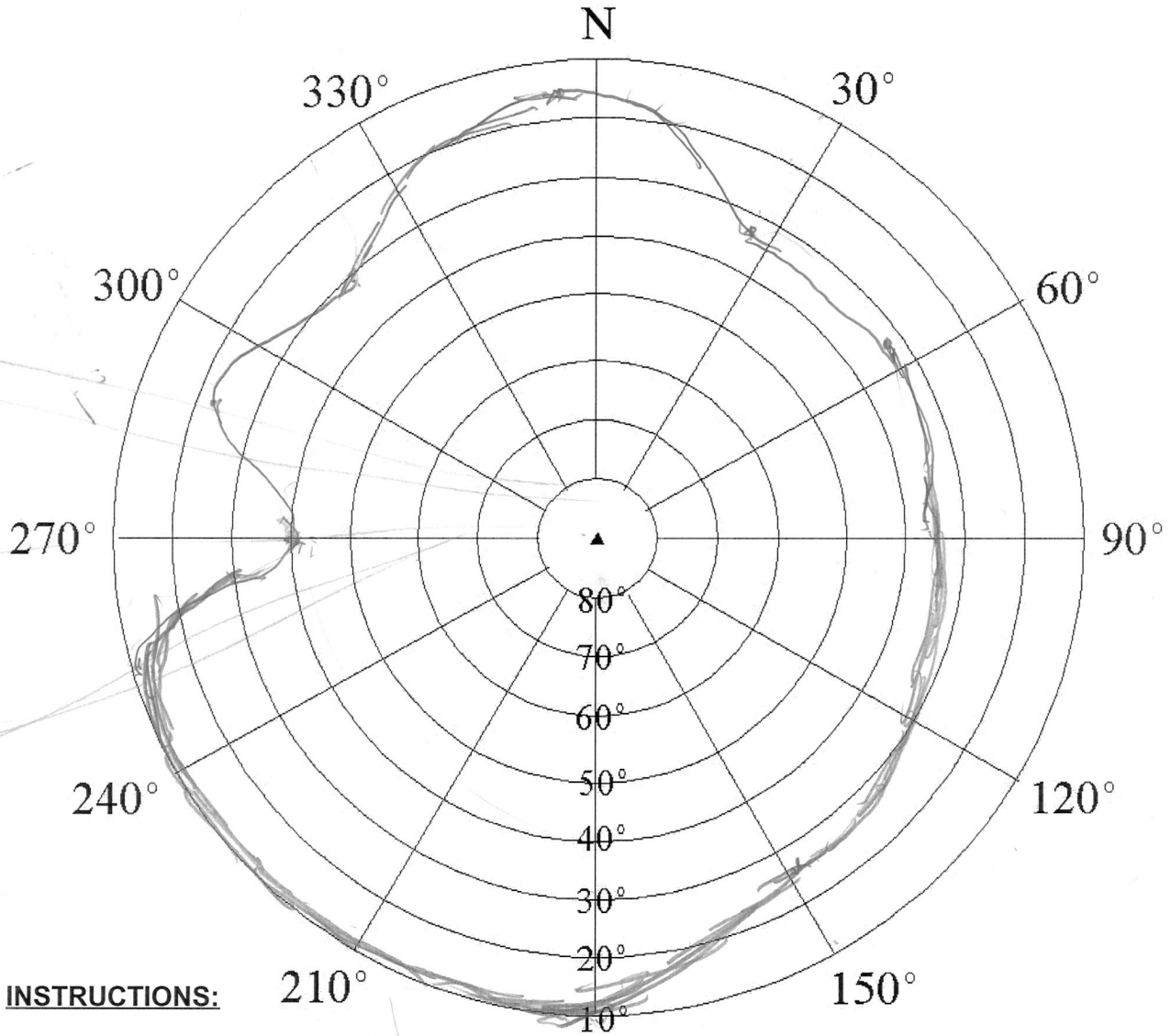
County: GILA

Reconnaissance By: R. BUNGER

Height above mark: 2.0 Meters

Agency/Company: GILA COUNTY Phone: (928) 402 8506 Date: 6/3/04

**NATIONAL GEODETIC SURVEY  
VISIBILITY OBSTRUCTION DIAGRAM**



**INSTRUCTIONS:**

Identify obstructions by azimuth (magnetic) and elevation angle (above horizon) as seen from station mark. Indicate distance and direction to nearby structures and reflective surfaces (potential multipath sources).

Designation: PMOORE

PID: \_\_\_\_\_

Location: N 34° 09' 25.7"  
W 110° 54' 26.4"

County: GILA

Reconnaissance By: R. BUNGER

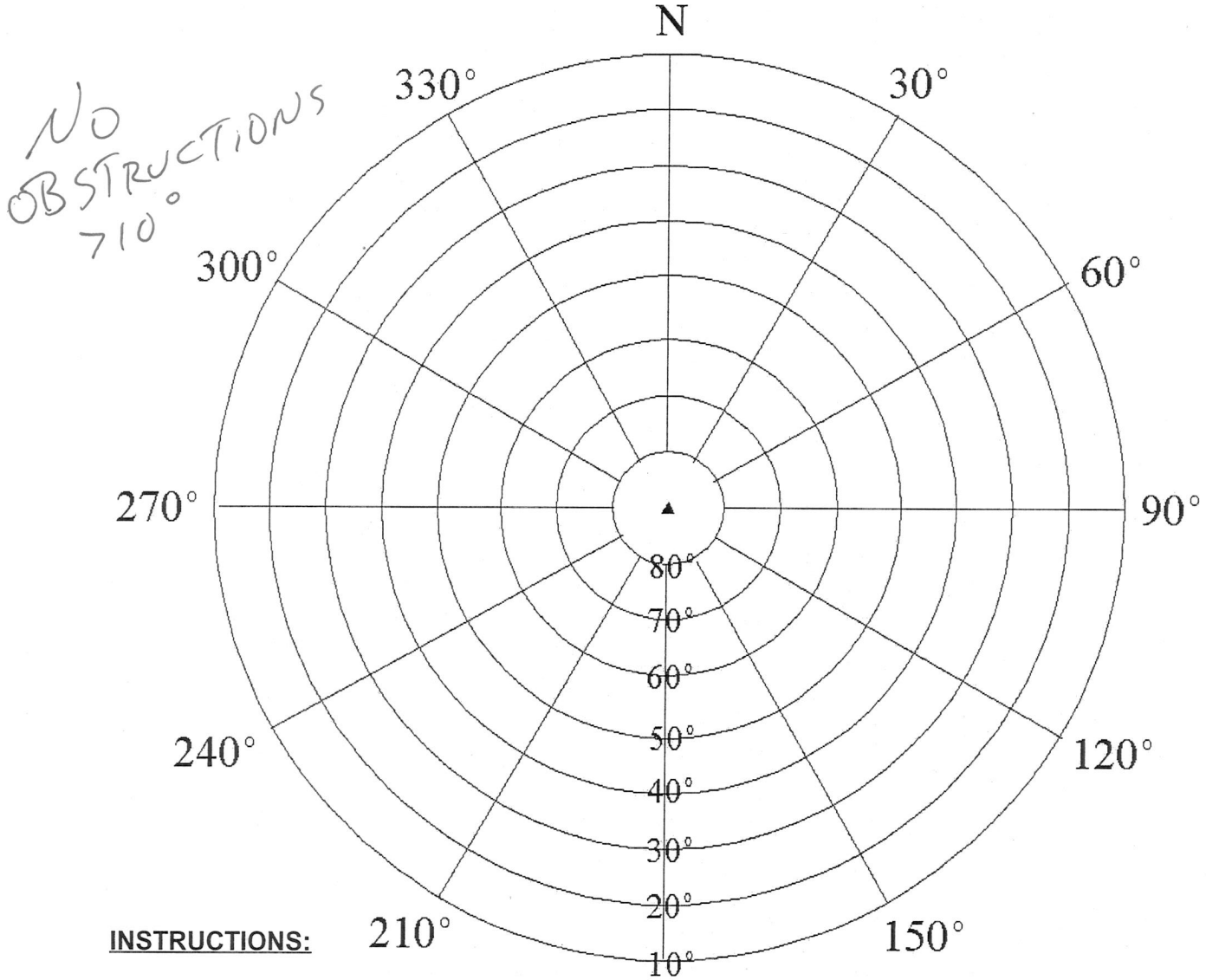
Height above mark: \_\_\_\_\_ Meters

Agency/Company: GILA CO.

Phone: ( 928 ) 425-3231 Date: 7-14-2004

EXT 8506

NATIONAL GEODETIC SURVEY  
VISIBILITY OBSTRUCTION DIAGRAM



**INSTRUCTIONS:**

Identify obstructions by azimuth (magnetic) and elevation angle (above horizon) as seen from station mark. Indicate distance and direction to nearby structures and reflective surfaces (potential multipath sources).

Designation: PVA

PID: \_\_\_\_\_

Location: \_\_\_\_\_

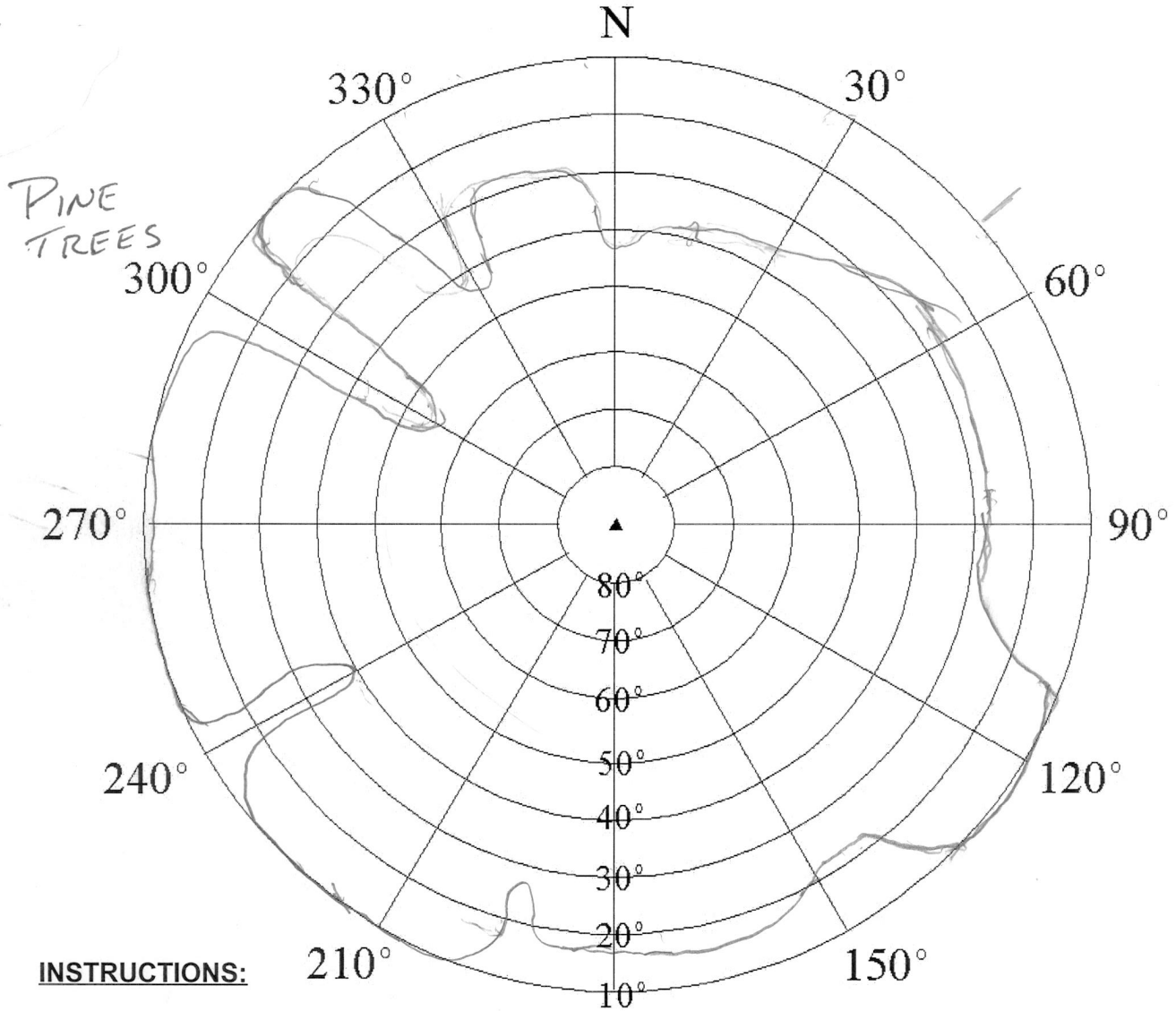
County: GILA

Reconnaissance By: T HOMAN

Height above mark: 2.0 Meters

Agency/Company: GILA Phone: (928) 402 8515 Date: 7/13/04

NATIONAL GEODETIC SURVEY  
VISIBILITY OBSTRUCTION DIAGRAM



**INSTRUCTIONS:**

Identify obstructions by azimuth (magnetic) and elevation angle (above horizon) as seen from station mark. Indicate distance and direction to nearby structures and reflective surfaces (potential multipath sources).

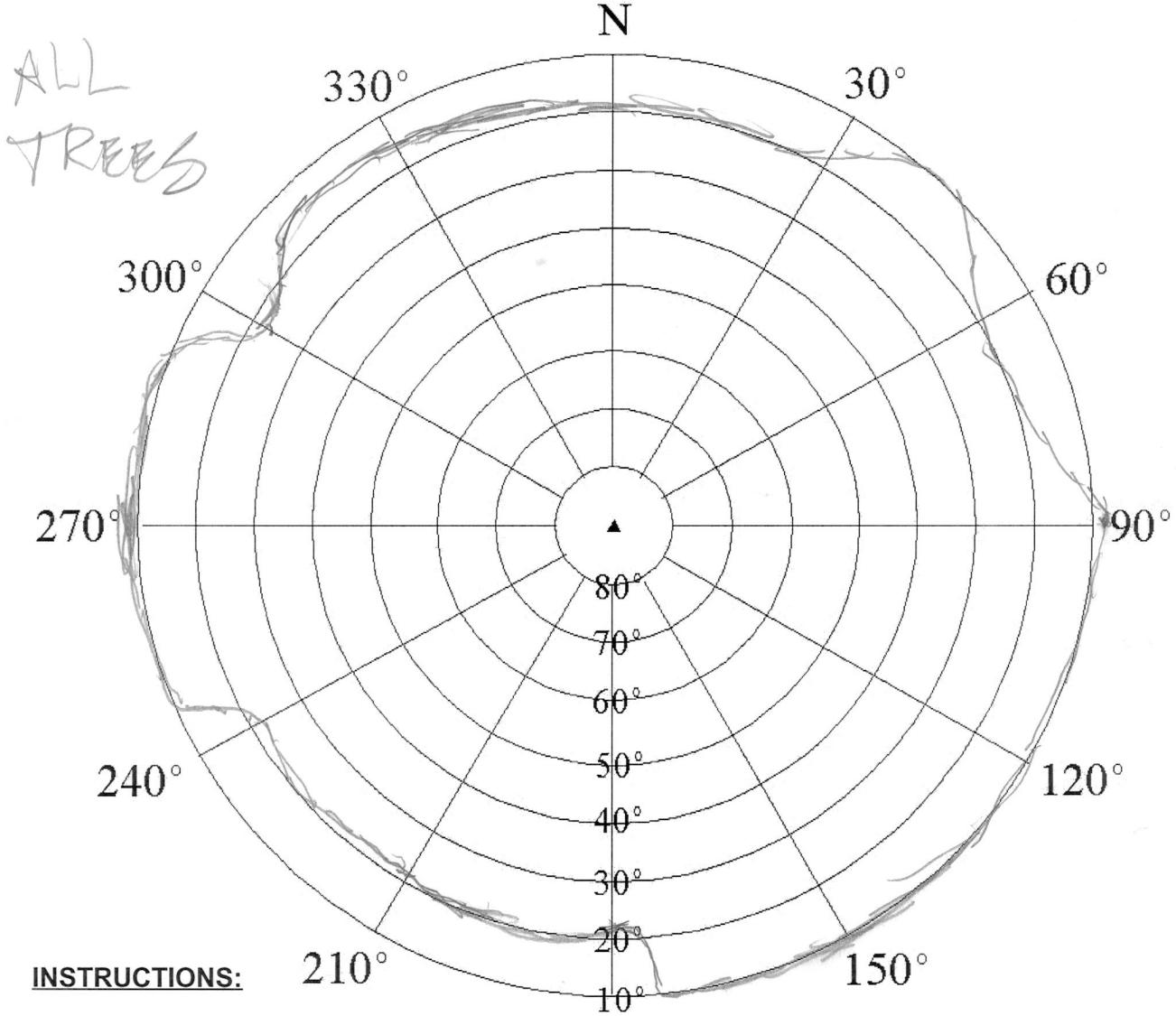
Designation: REDLAKE PID: \_\_\_\_\_

Location: \_\_\_\_\_ County: GILA

Reconnaissance By: R BUNGER Height above mark: 2.000 Meters

Agency/Company: GILA COUNTY Phone: ( 928 ) 402 8506 Date: 6/3/04

NATIONAL GEODETIC SURVEY  
VISIBILITY OBSTRUCTION DIAGRAM



Identify obstructions by azimuth (magnetic) and elevation angle (above horizon) as seen from station mark. Indicate distance and direction to nearby structures and reflective surfaces (potential multipath sources).

Designation: VORIS PID: \_\_\_\_\_

Location: \_\_\_\_\_ County: GILA

Reconnaissance By: R BUNGER Height above mark: 2<sup>000</sup> Meters

Agency/Company: GILA COUNTY Phone: ( 928 ) 402 8506 Date: 7/13/04