

Eagle Pneumatic Ticket Delivery System

The Eagle Pneumatic Ticket Delivery System transports tickets 25 feet per second up to 1,000 feet through a single, connecting tube between the truck scale and the batchman/dispatch office. It can save between 3 and 5 hours of truck time for each 100 trucks that move through your yard.

The pneumatic dispatch system is a low-cost, easy-to-use system that helps move trucks through your operation faster than ever. This pressure/vacuum system is designed with a "recall" feature and stainless steel truck station for reliability and durability in any outside installation.

Ideal for rock quarries, asphalt and concrete plants, the Eagle Pneumatic Ticket Delivery System saves your operation time and money while you keep focused on your business moving forward. Call your Eagle Pneumatic dealer today.

Mini Ticket Delivery - Powered Station

DIMENSIONS	
System Size	3" 4"
A	9 1/4" 9 1/4"
B	20 3/4" 20 3/4"
C	4 1/4" 4 1/4"
D	10 1/4" 10 1/4"
E	4 1/4" 4 1/4"
F	6 1/4" 7 1/4"
G	1 1/4" 1 1/4"
J	4 1/4" 4 3/4"

ELECTRICAL REQUIREMENTS
Power, all models: 115V, single-phase, 60 Hz

Stainless Steel Truck Station - Non-Powered

DIMENSIONS	
System Size	3" 4"
A	7 1/2" 7 1/2"
B	15 1/2" 15 1/2"
C	3 1/4" 3 1/4"
D	7 1/2" 7 1/2"
E	4" 4"
F	3 1/4" 3 3/4"
G	1/2" 1/2"

DOWN SEND STATIONS AVAILABLE
*Requires control cable between stations.

Eagle Pneumatic, Inc.
3802 Industry Boulevard
Lakeland, Florida 33811
Tel: 888.344.4870
Tel: 800.237.8870
Fax: 888.647.5328
E-mail: sales@eaglepneumatic.com
www.eaglepneumatic.com

EAGLE PNEUMATIC, INC. SPECIAL BEND PRODUCTS

PART NO.	DESCRIPTION	SCH.	"A"	"B"	"C"	"R"
P-9026	3"x 90" EXPANDED	10	30"	30"	6"	24"
P-9027	3"x 90"	10	54"	54"	6"	48"
P-9029	4"x 90" EXPANDED	10	28"	28"	4"	24"
P-9030	4"x 90"	10	54"	54"	6"	48"
P-9032	4"x 90"	10	67"	67"	6"	60"
P-9033	3"x 90" EXPANDED	40	30"	30"	4"	24"
P-9034	3"x 90"	40	54"	54"	6"	48"
P-9037	4"x 90"	40	54"	54"	6"	48"
P-9039	4"x 90"	40	67"	67"	6"	60"
P-9040	6"x 90"	40	54"	54"	6"	48"
P-9042	6"x 90"	40	42"	42"	6"	36"
P-10156	8"x 90"	40	50"	50"	6"	44"

90° BENDS

PART NO.	DESCRIPTION	SCH.	"A"	"B"	"C"	"R"
P-9028	3"x 45"	10	41"	17"	4"	48"
P-9031	4"x 45"	10	41"	17"	4"	48"
P-9035	3"x 45"	40	41"	17"	4"	48"
P-9038	4"x 45"	40	41"	17"	4"	48"
P-9041	6"x 45"	40	44	18"	6"	48"

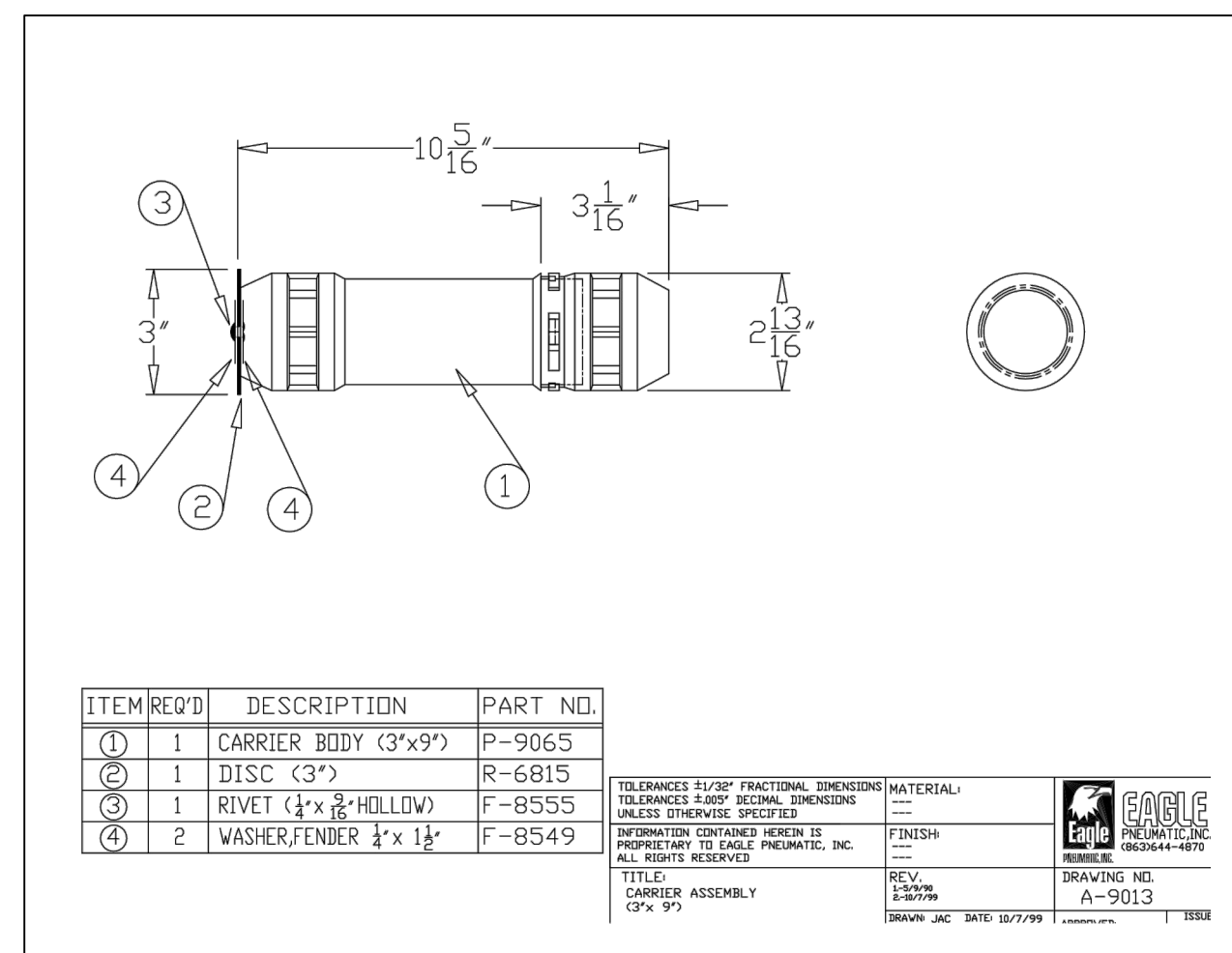
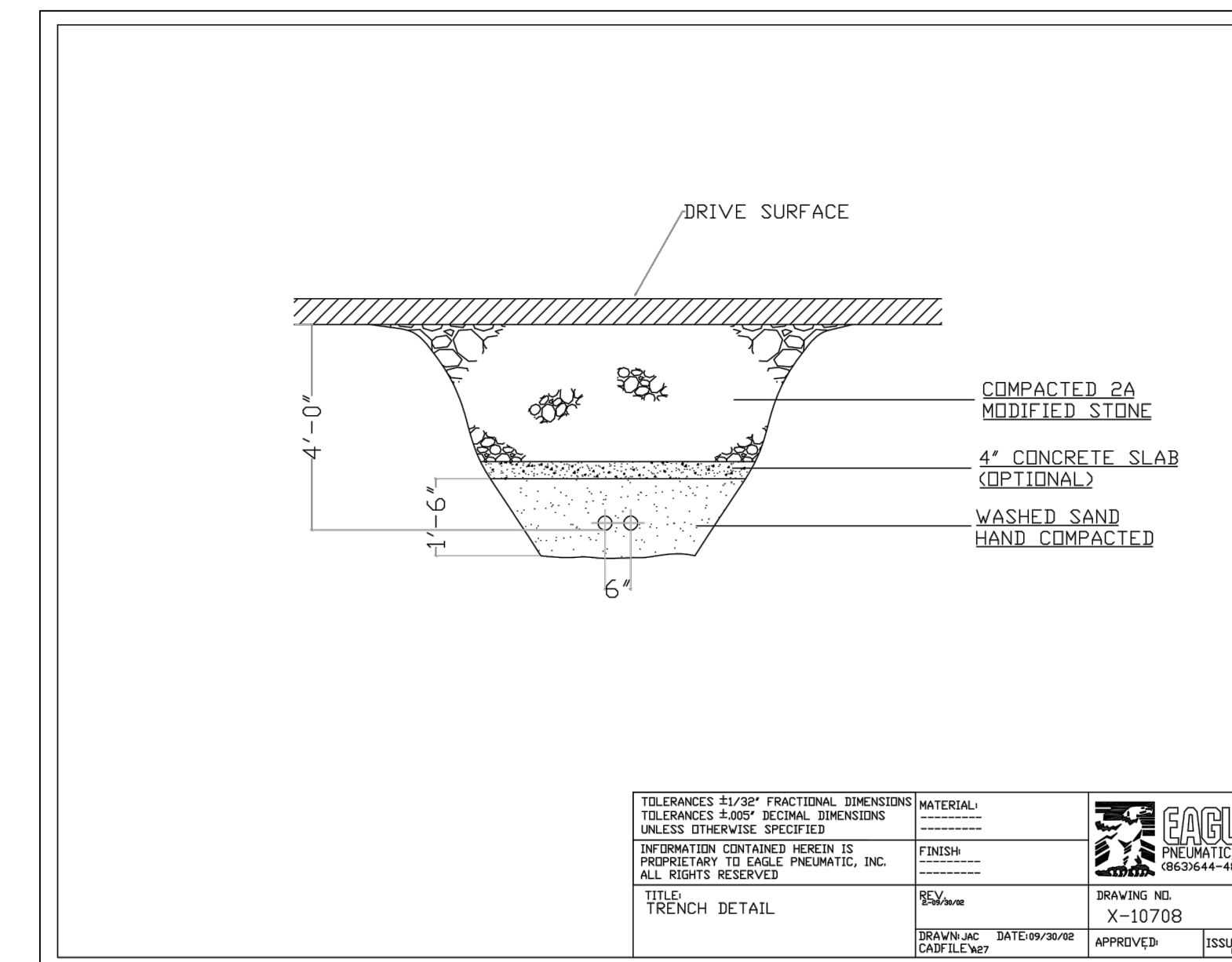
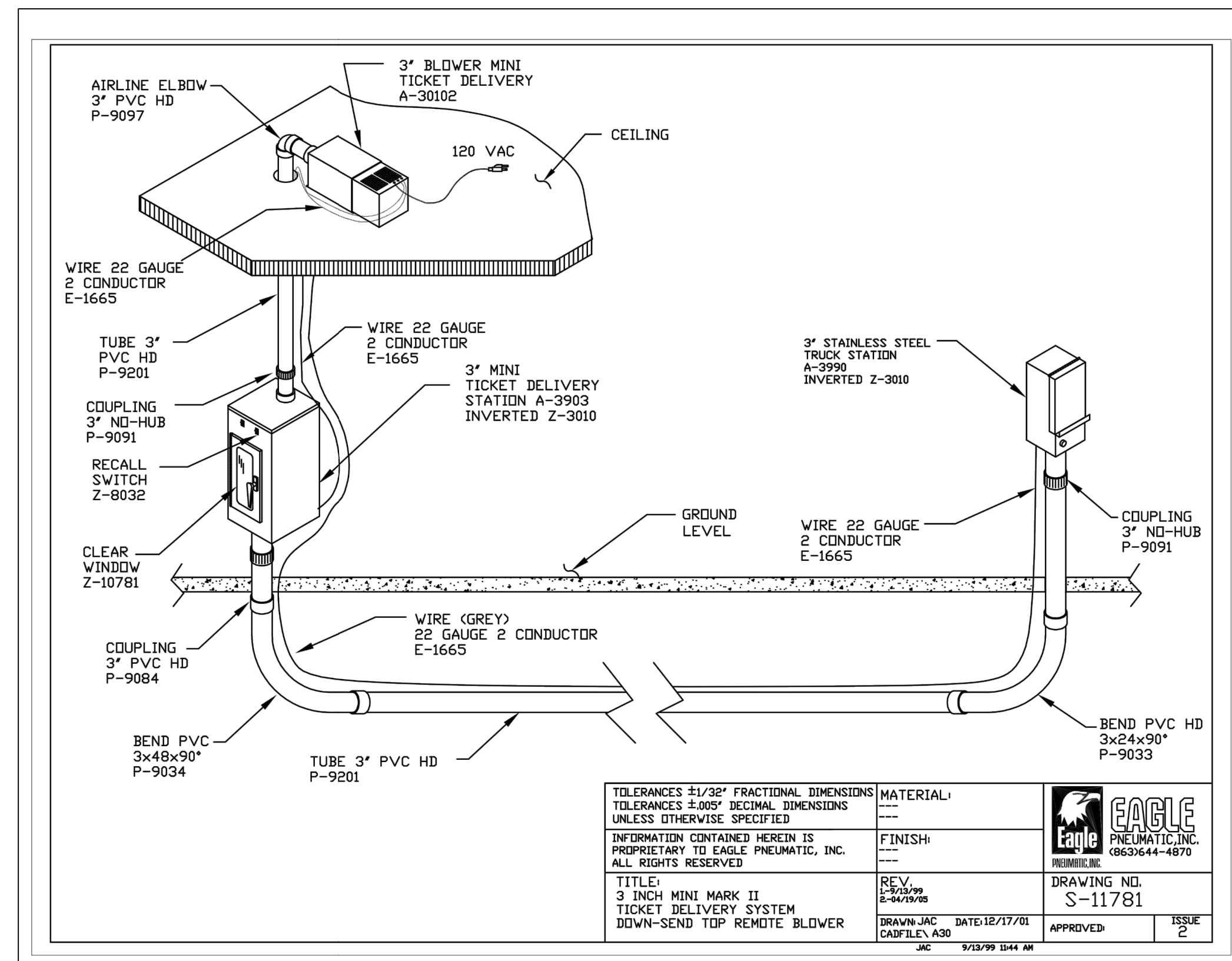
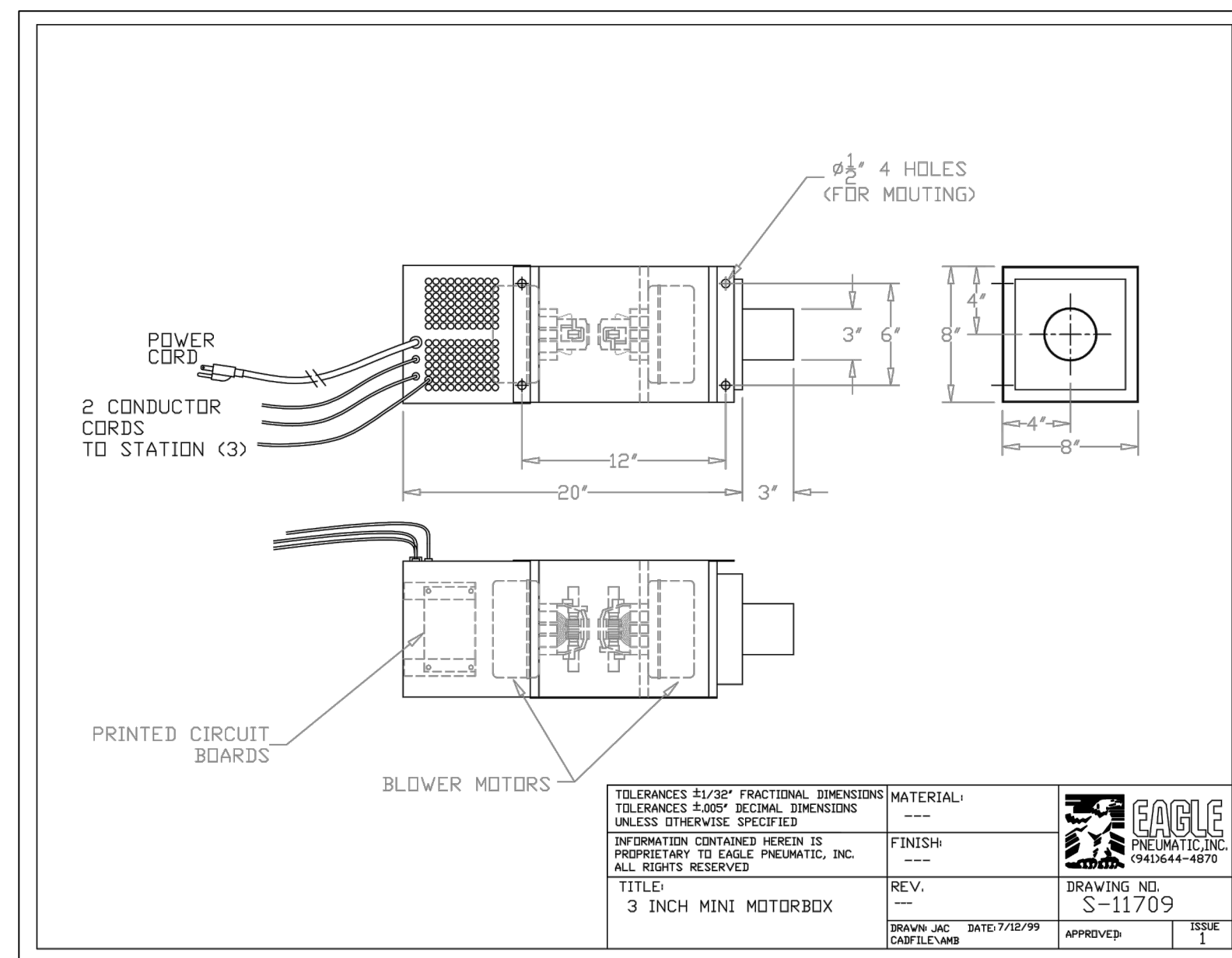
45° BENDS

PART NO.	DESCRIPTION	SCH.	"A"	"B"	"C"	"R"
P-12083	3"x 22.5"	10	28"	6"	5"	48"
P-12084	4"x 22.5"	10	28"	6"	5"	48"
P-12085	3"x 22.5"	40	28"	6"	5"	48"
P-12086	4"x 22.5"	40	28"	6"	5"	48"
P-12087	6"x 22.5"	40	32	6"	7"	48"

22.5° BENDS

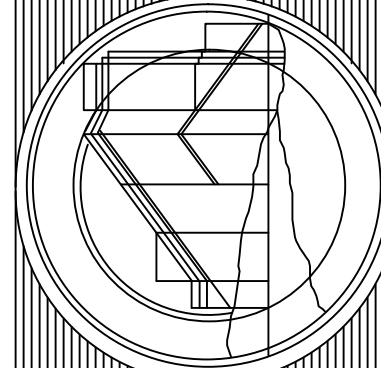
PART NO.	DESCRIPTION	SCH.	"A"	"B"	"C"	"R"
P-12088	3"x 11"	10	16"	2"	4"	48"
P-12089	4"x 11"	10	16"	2"	4"	48"
P-12090	3"x 11"	40	16"	2"	4"	48"
P-12091	4"x 11"	40	16"	2"	4"	48"

11° BENDS

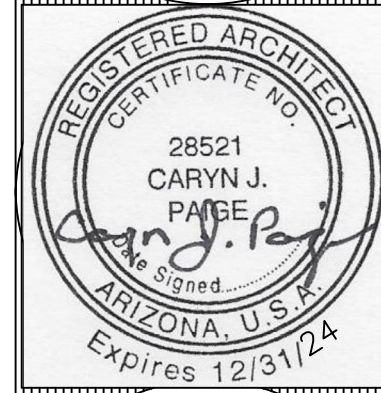


EAGLE PNEUMATIC DETAILS

CARYN J. PAIGE, ARCHITECT
CANYON COUNTRY DESIGN INC.
YOUNG, AZ



RUSSELL GULCH LANDFILL OFFICES/SCALEHOUSE



A12